

3590-48" SLITTER

2 x 2

48"	100533
60"	100534
72"	100535
84"	100536

48"	100537
60"	100538
72"	100539
84"	100540

Std. Feed	100441
Skew Feed	102103

100148

100149

100435

101112 4 Req'd.

Complete Frame	
48"	100035
60"	100036
72"	100037
84"	100038

100890

100039

100128

100127

100440

100454 2 Req'd.

100434

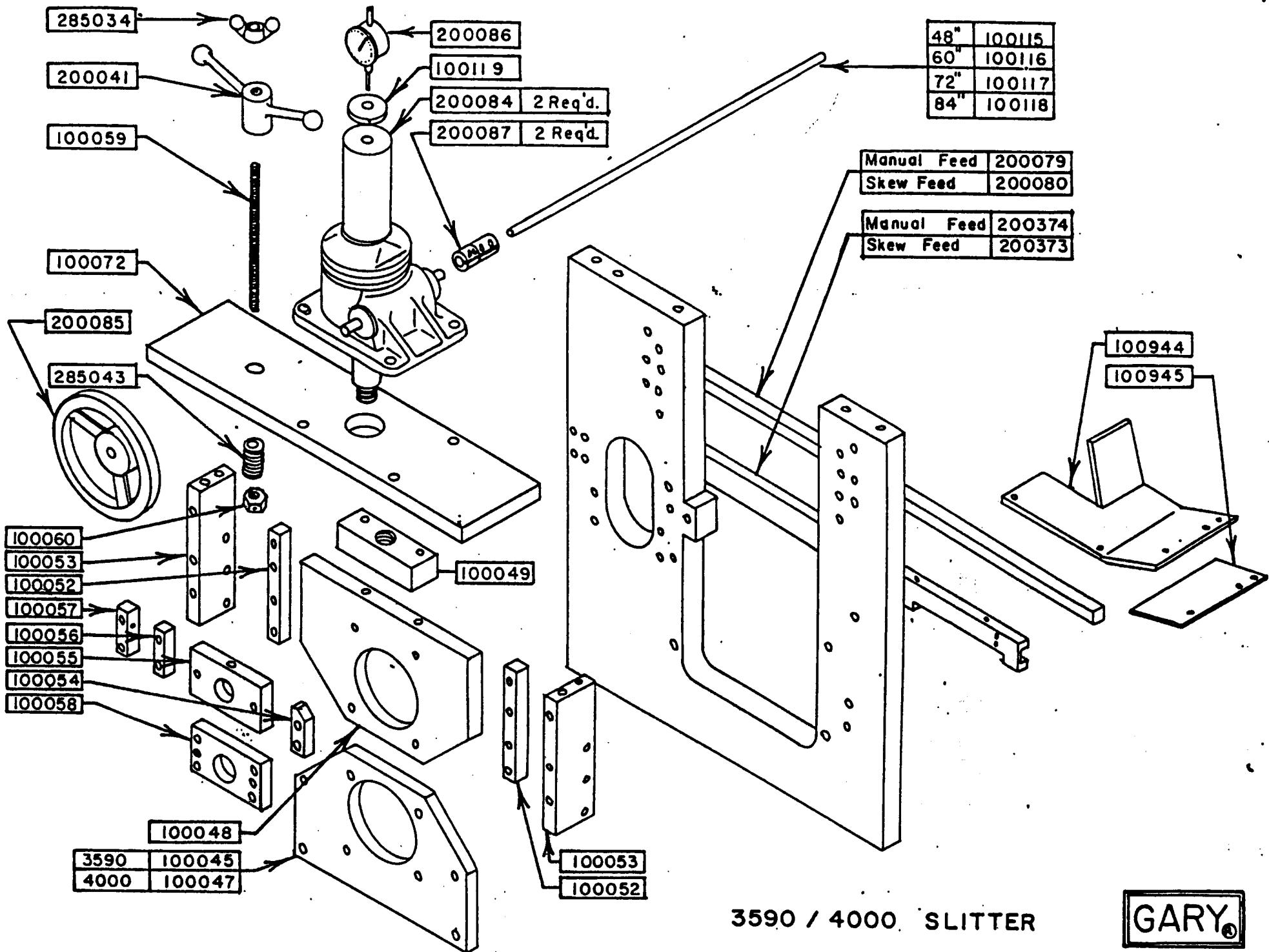
48"	100446
60"	100447
72"	100448
84"	100449

48"	100432
60"	100433
72"	100430
84"	100431

100430 2 Req'd.

3590 / 4000 FRAME AND PANELS

GARY®



285034

200041

100059

100072

200085

285043

100060

100053

100052

100057

100056

100055

100054

100058

100048

3590 100045

4000 100047

200086

100119

200084 2 Req'd.

200087 2 Req'd.

100049

100053

100052

48"	100115
60"	100116
72"	100117
84"	100118

Manual Feed	200079
Skew Feed	200080

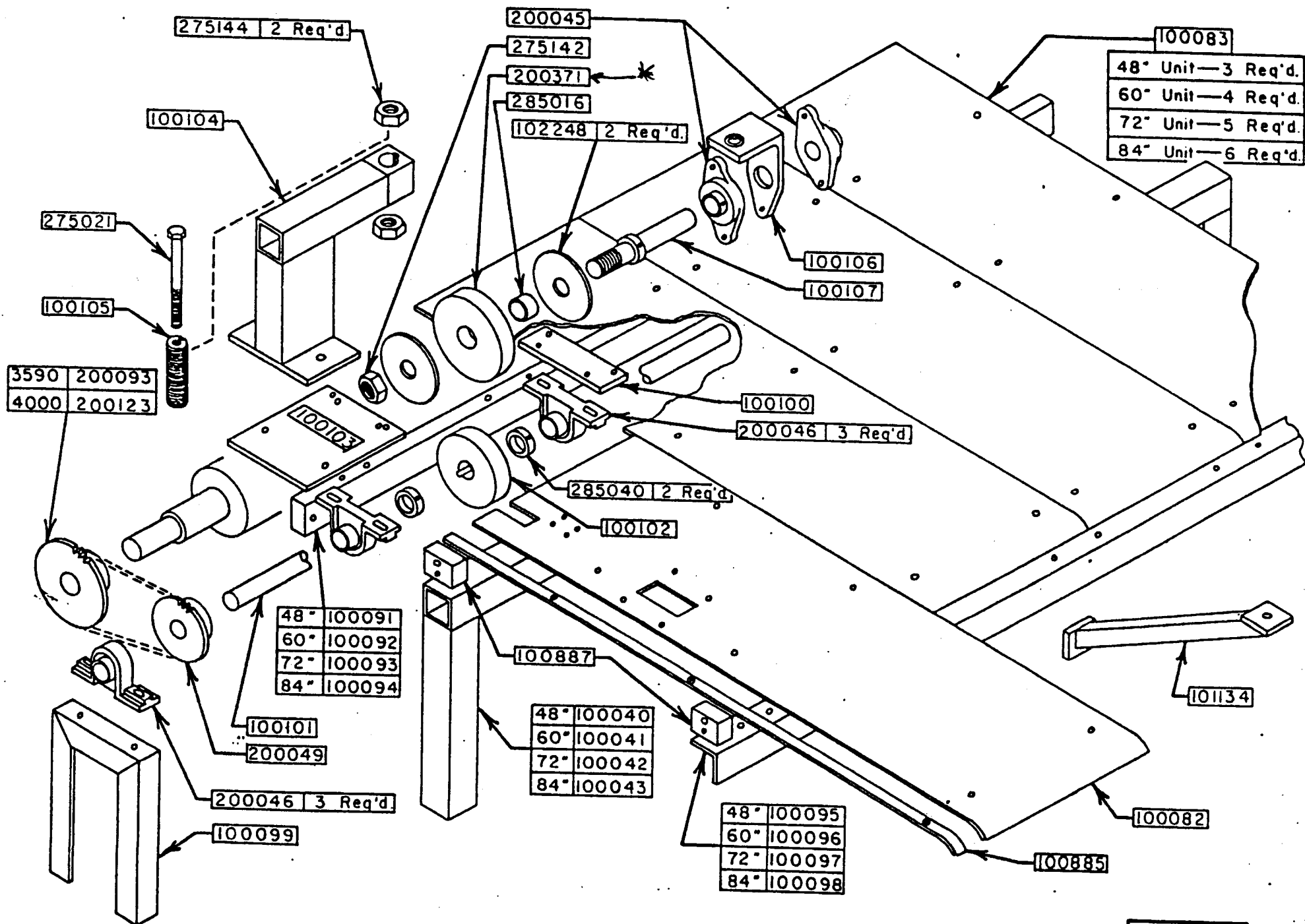
Manual Feed	200374
Skew Feed	200373

100944

100945

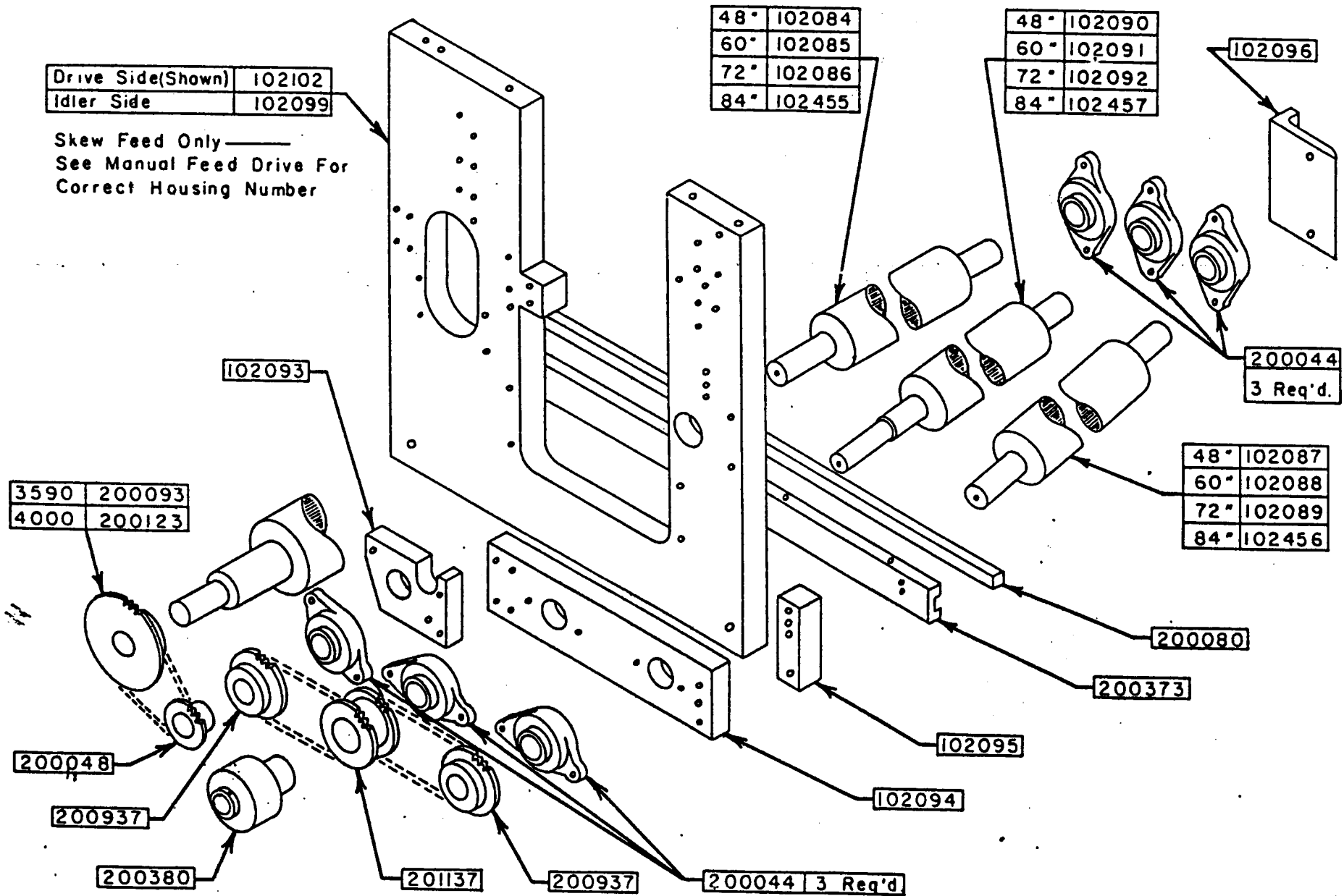
3590 / 4000 SLITTER





3590 / 4000 MANUAL FEED ENTRY DRIVE





3590 / 4000 SKEW FEED ENTRY DRIVE



2 Position Selector	285163
Repl. Contact Block	285162
Pendant Assembly	100428
Repl. Toggle Switch	285092
Repl. Push Button	285093
Repl. Coil Cord	285146

3590-48"	200121
3590-60", 72"	200102
4000-48"	200062
4000-60", 72", 84"	200121

ALL 48"	100110
60"	100111
72"	100112
84"	100113

200047	
285048	Chain (Specify Length)
285049	Offset Link
285050	Connecting Link

200050	
3590-48"	200122
3590-60" & 72"	200103
4000-All	202460

3590-48"	200117
3590-60", 72"	200098
4000-48"	200216
4000-60", 72", 84"	202457

3590-48	200116
3590-60, 72	200097
4000-All	202458

3590-60, 72	285001
3590-48	285006
4000-All	202459

Transformer	
All Except 4000-48-200362	
4000-48-200384	
Fuseholder	285215

3590-48"	200120
3590-60" & 72"	200101
4000-48"	200218
4000-60", 72", 84"	200120

3590-60", 72"	200099
3590-48"	200118
4000-All	200118

3590-All	200054
4000-48"	200303
4000-60, 72, 84"	200054

All Except 4000-48"	
285051	Chain (Specify Length)
285052	Offset Link
285053	Connecting
4000-48"	
285218	Chain (Specify Length)
285219	Offset Link
285220	Connecting Link

4000-48" Sprocket	200361
60, 72, & 84"	200359
3590 All	200359
Bearing-All Units	200360
Tensioner Base-All	200358
Tensioner Shaft	200666
Bronze Thrust Washer	200723
Set Collar	285041

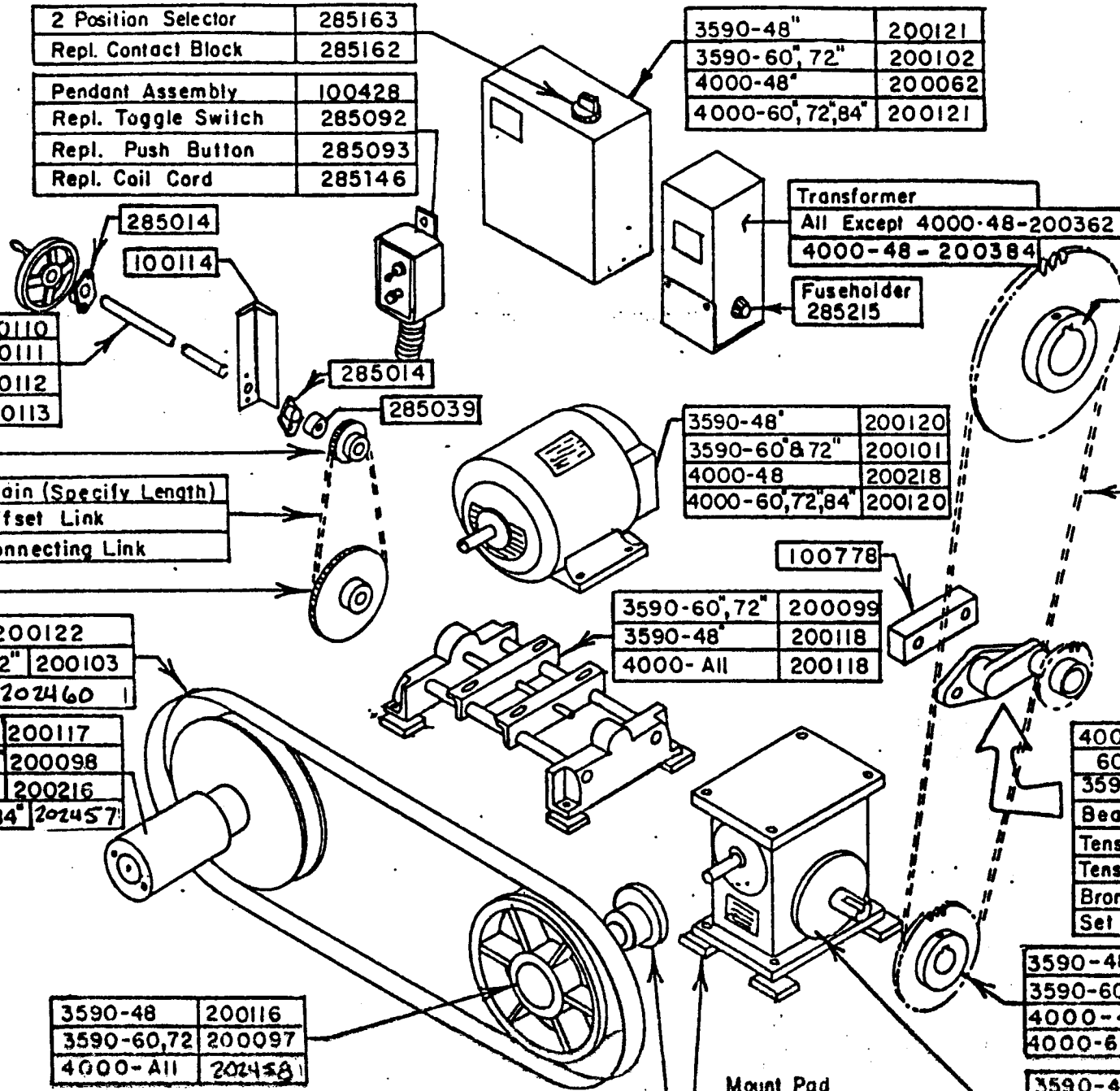
3590-48"	200094
3590-60" & 72"	200095
4000-48"	200058
4000-60", 72", 84"	200124

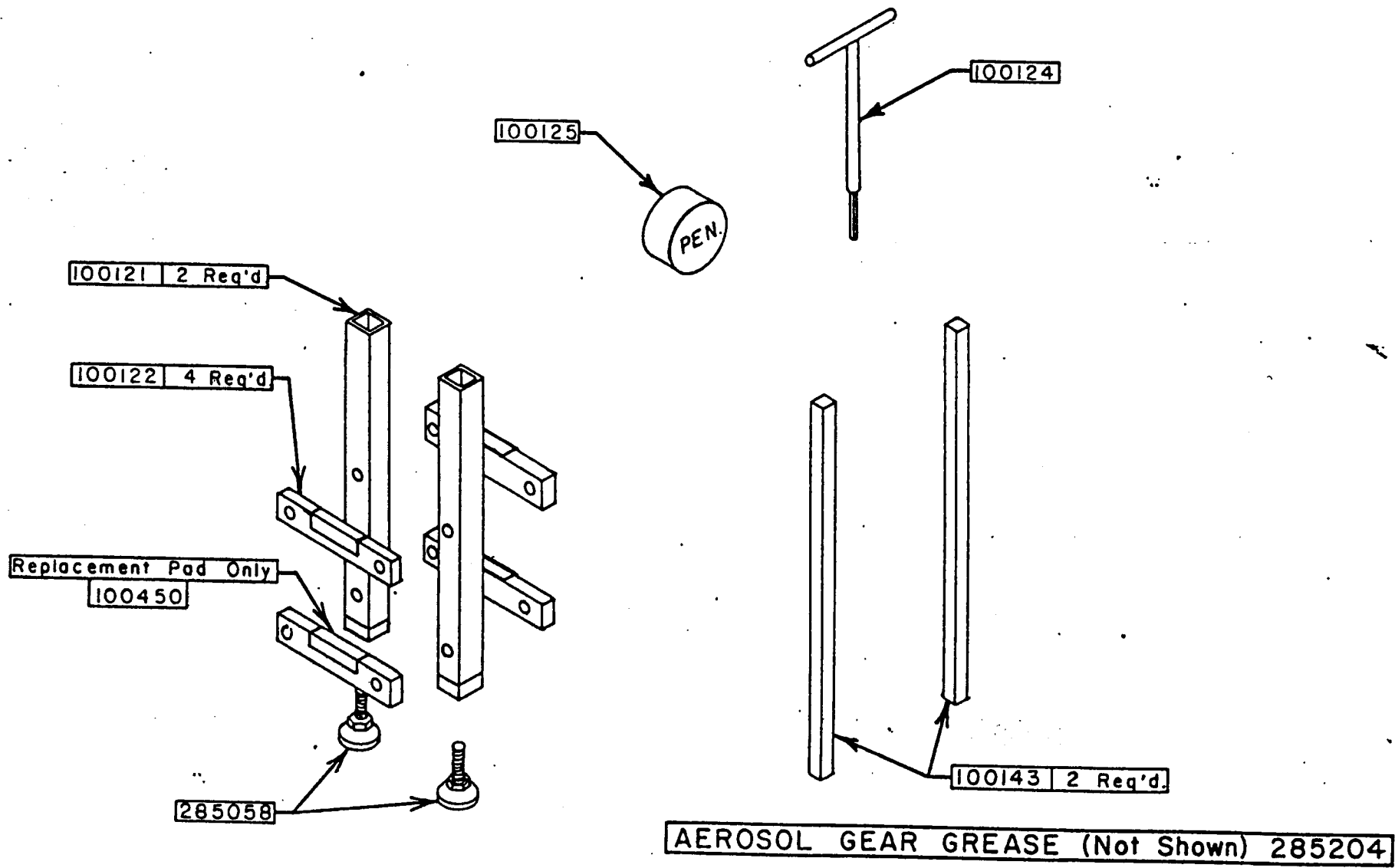
3590-48"	200119
3590-60, 72"	200100
4000-48"	200217
4000-60", 72", 84"	200119

Mount Pad	
3590-60", 72"	185001
3590-48"	185004
4000-All	185004



MODEL 3590 / 4000 SLITTER MAIN DRIVE





GARY®

3590 / 4000 MAINTENANCE ACCESSORIES