

|                        |        |
|------------------------|--------|
| Chain (Specify Length) | 285048 |
| Offset Link            | 285049 |
| Connecting Link        | 285050 |

3590-72" SLITTER

SXR

|     |        |
|-----|--------|
| 48" | 100533 |
| 60" | 100534 |
| 72" | 100535 |
| 84" | 100536 |

|     |        |
|-----|--------|
| 48" | 100537 |
| 60" | 100538 |
| 72" | 100539 |
| 84" | 100540 |

|           |        |
|-----------|--------|
| Std. Feed | 100441 |
| Skew Feed | 102103 |

100148

100149

100435

101112 4 Req'd.

|                |        |
|----------------|--------|
| Complete Frame |        |
| 48"            | 100035 |
| 60"            | 100036 |
| 72"            | 100037 |
| 84"            | 100038 |

100890

100039

100128

100127

100440

100454 2 Req'd.

100434

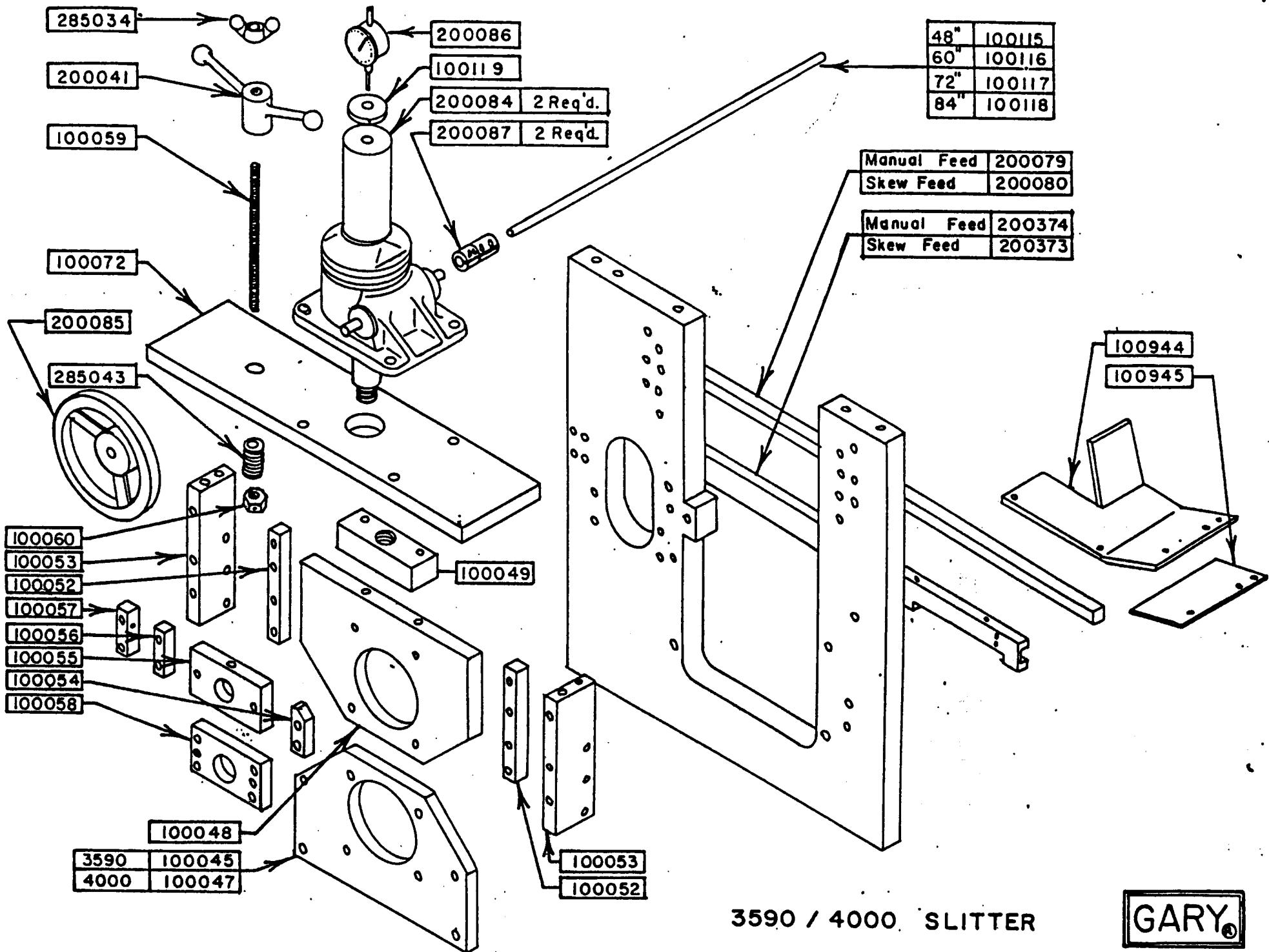
|     |        |
|-----|--------|
| 48" | 100446 |
| 60" | 100447 |
| 72" | 100448 |
| 84" | 100449 |

|     |        |
|-----|--------|
| 48" | 100432 |
| 60" | 100433 |
| 72" | 100430 |
| 84" | 100431 |

100430 2 Req'd.

3590 / 4000 FRAME AND PANELS





285034

200041

100059

100072

200085

285043

100060

100053

100052

100057

100056

100055

100054

100058

100048

3590 100045

4000 100047

200086

100119

200084 2 Req'd.

200087 2 Req'd.

100049

100053

100052

|     |        |
|-----|--------|
| 48" | 100115 |
| 60" | 100116 |
| 72" | 100117 |
| 84" | 100118 |

|             |        |
|-------------|--------|
| Manual Feed | 200079 |
| Skew Feed   | 200080 |

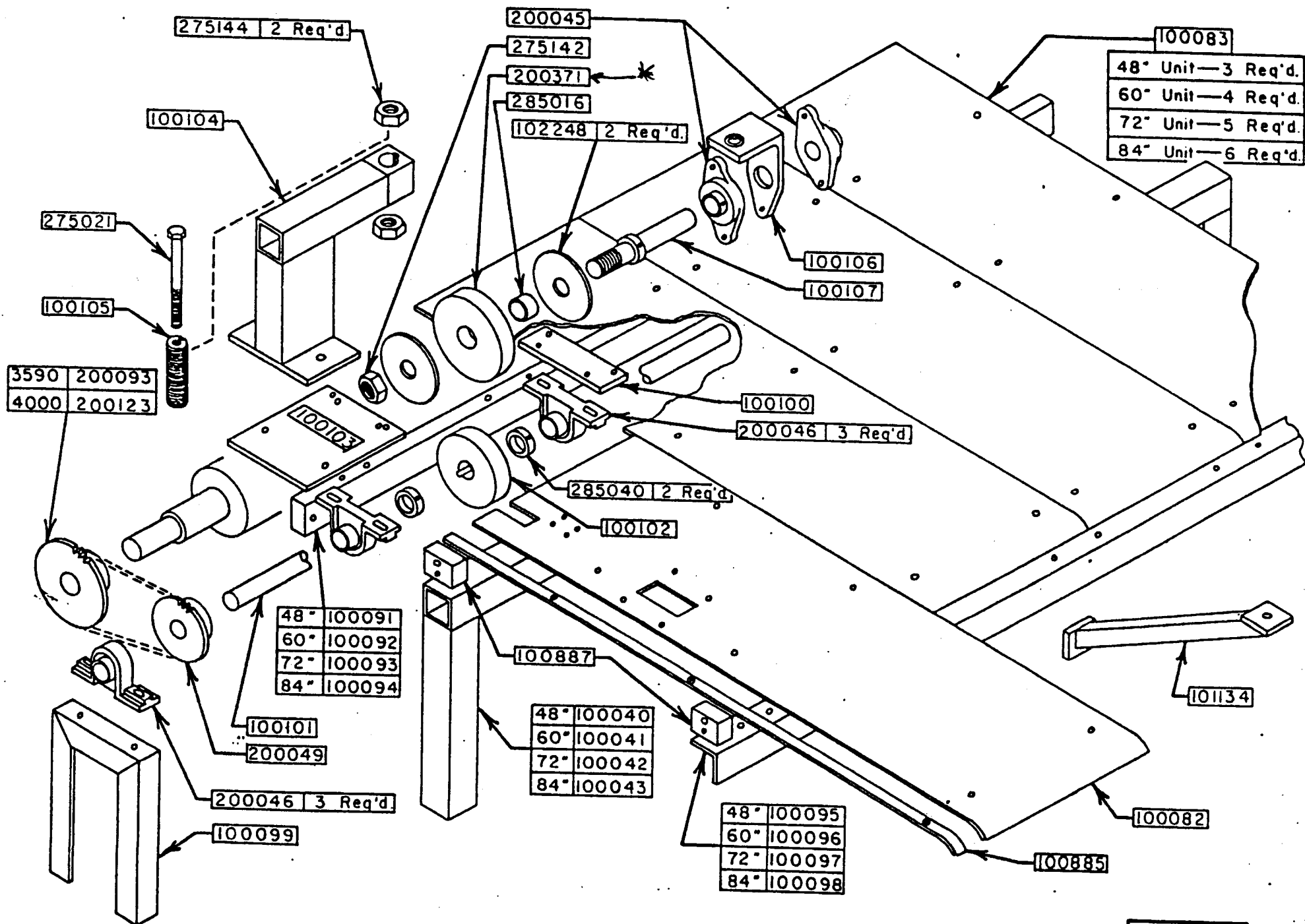
|             |        |
|-------------|--------|
| Manual Feed | 200374 |
| Skew Feed   | 200373 |

100944

100945

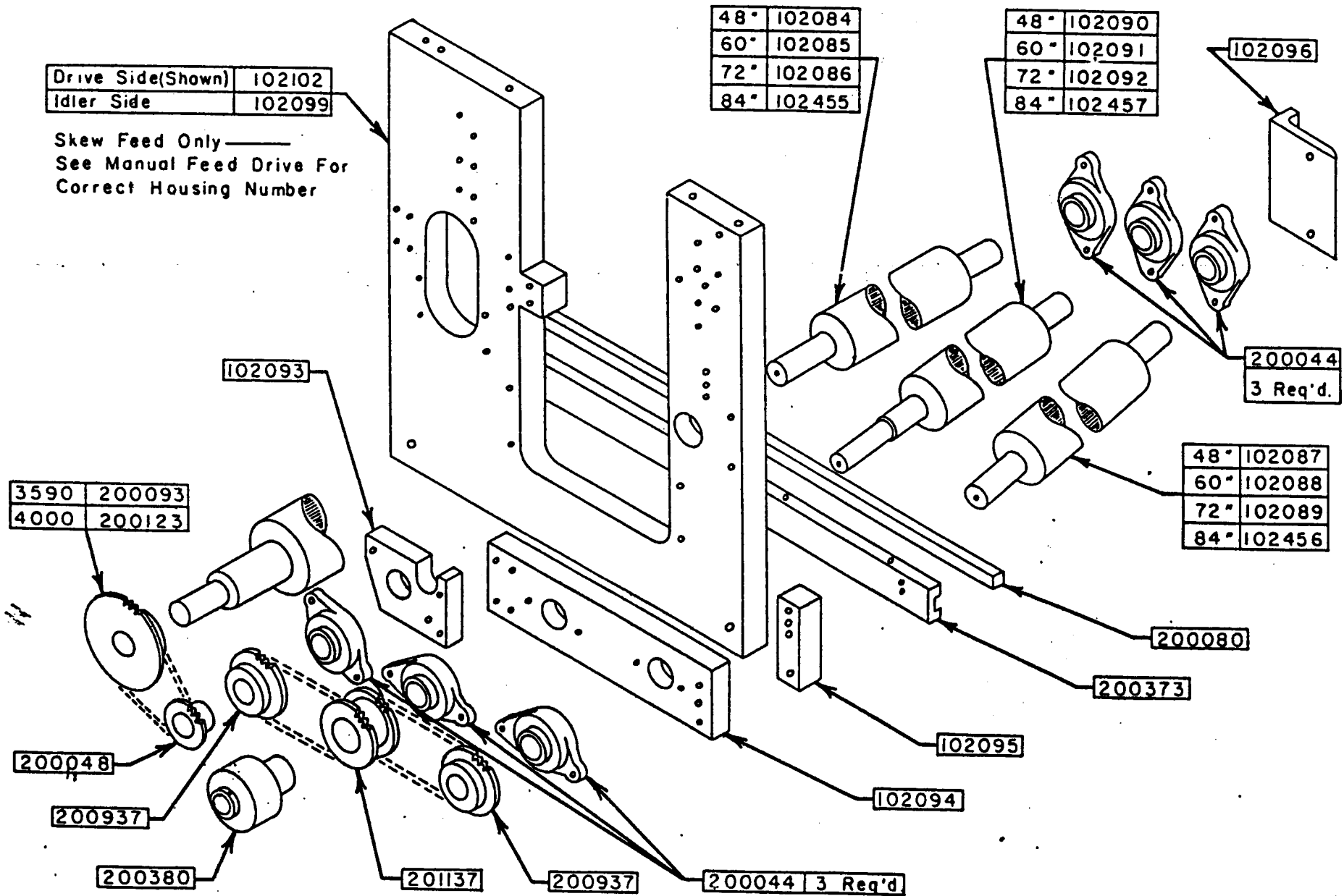
3590 / 4000 SLITTER





3590 / 4000 MANUAL FEED ENTRY DRIVE





3590 / 4000 SKEW FEED ENTRY DRIVE



|                     |        |
|---------------------|--------|
| 2 Position Selector | 285163 |
| Repl. Contact Block | 285162 |
| Pendant Assembly    | 100428 |
| Repl. Toggle Switch | 285092 |
| Repl. Push Button   | 285093 |
| Repl. Coil Cord     | 285146 |

|                    |        |
|--------------------|--------|
| 3590-48"           | 200121 |
| 3590-60", 72"      | 200102 |
| 4000-48"           | 200062 |
| 4000-60", 72", 84" | 200121 |

|             |                           |
|-------------|---------------------------|
| Transformer | All Except 4000-48-200362 |
|             | 4000-48-200384            |

|            |        |
|------------|--------|
| Fuseholder | 285215 |
|------------|--------|

|                |        |
|----------------|--------|
| 3590-All       | 200054 |
| 4000-48"       | 200303 |
| 4000-60,72,84" | 200054 |

|         |        |
|---------|--------|
| ALL 48" | 100110 |
| 60"     | 100111 |
| 72"     | 100112 |
| 84"     | 100113 |

|        |                        |
|--------|------------------------|
| 200047 |                        |
| 285048 | Chain (Specify Length) |
| 285049 | Offset Link            |
| 285050 | Connecting Link        |

|                |        |
|----------------|--------|
| 200050         |        |
| 3590-48"       | 200122 |
| 3590-60" & 72" | 200103 |
| 4000-All       | 202460 |

|                    |        |
|--------------------|--------|
| 3590-48"           | 200117 |
| 3590-60", 72"      | 200098 |
| 4000-48"           | 200216 |
| 4000-60", 72", 84" | 202457 |

|                    |        |
|--------------------|--------|
| 3590-48"           | 200120 |
| 3590-60" & 72"     | 200101 |
| 4000-48"           | 200218 |
| 4000-60", 72", 84" | 200120 |

|               |        |
|---------------|--------|
| 3590-60", 72" | 200099 |
| 3590-48"      | 200118 |
| 4000-All      | 200118 |

|                     |                        |
|---------------------|------------------------|
| All Except 4000-48" |                        |
| 285051              | Chain (Specify Length) |
| 285052              | Offset Link            |
| 285053              | Connecting             |
| 4000-48"            |                        |
| 285218              | Chain (Specify Length) |
| 285219              | Offset Link            |
| 285220              | Connecting Link        |

|                      |        |
|----------------------|--------|
| 4000-48" Sprocket    | 200361 |
| 60, 72, & 84"        | 200359 |
| 3590 All             | 200359 |
| Bearing-All Units    | 200360 |
| Tensioner Base-All   | 200358 |
| Tensioner Shaft      | 200666 |
| Bronze Thrust Washer | 200723 |
| Set Collar           | 285041 |

|                    |        |
|--------------------|--------|
| 3590-48"           | 200094 |
| 3590-60" & 72"     | 200095 |
| 4000-48"           | 200058 |
| 4000-60", 72", 84" | 200124 |

|                    |        |
|--------------------|--------|
| 3590-48"           | 200119 |
| 3590-60", 72"      | 200100 |
| 4000-48"           | 200217 |
| 4000-60", 72", 84" | 200119 |

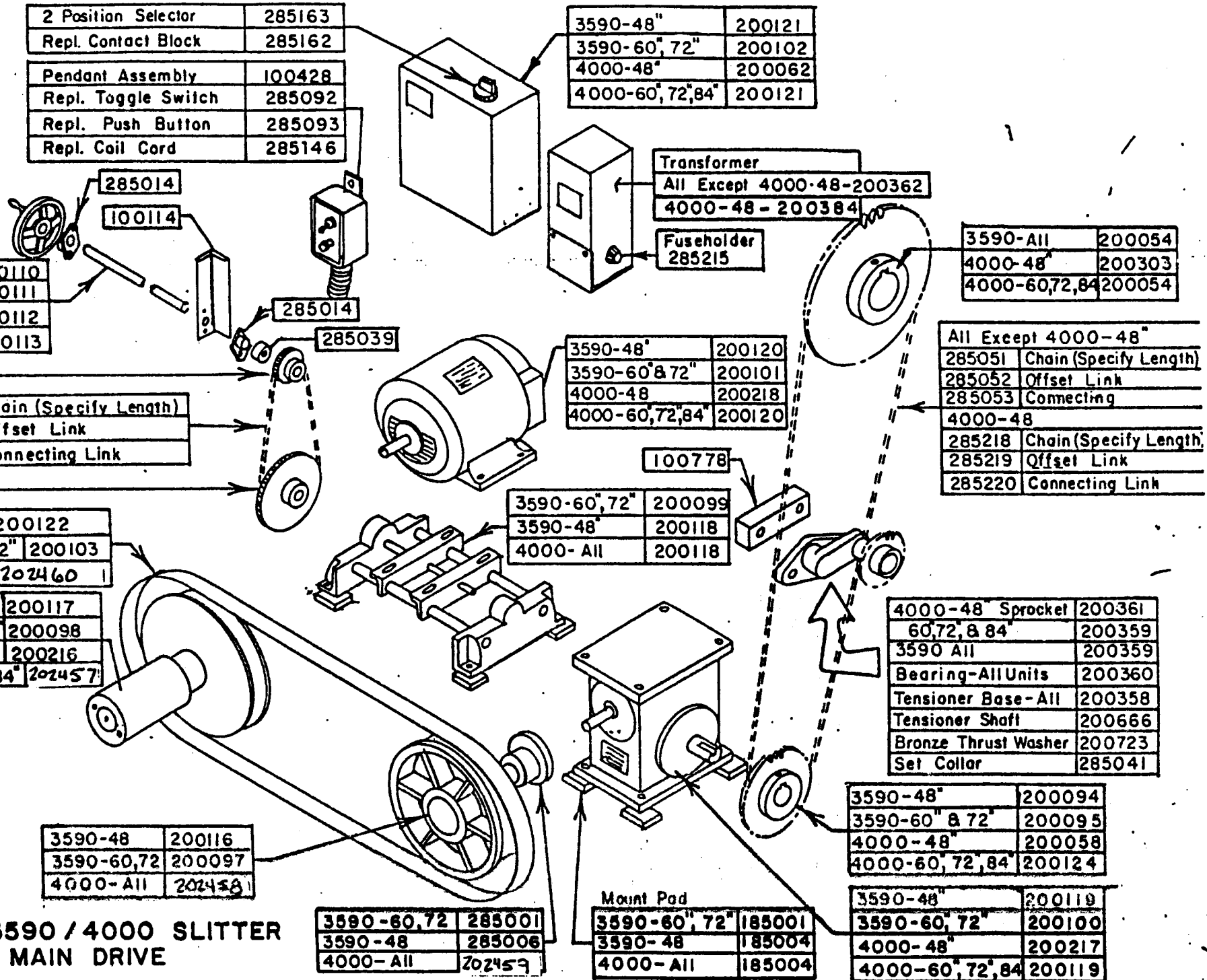
**GARY**

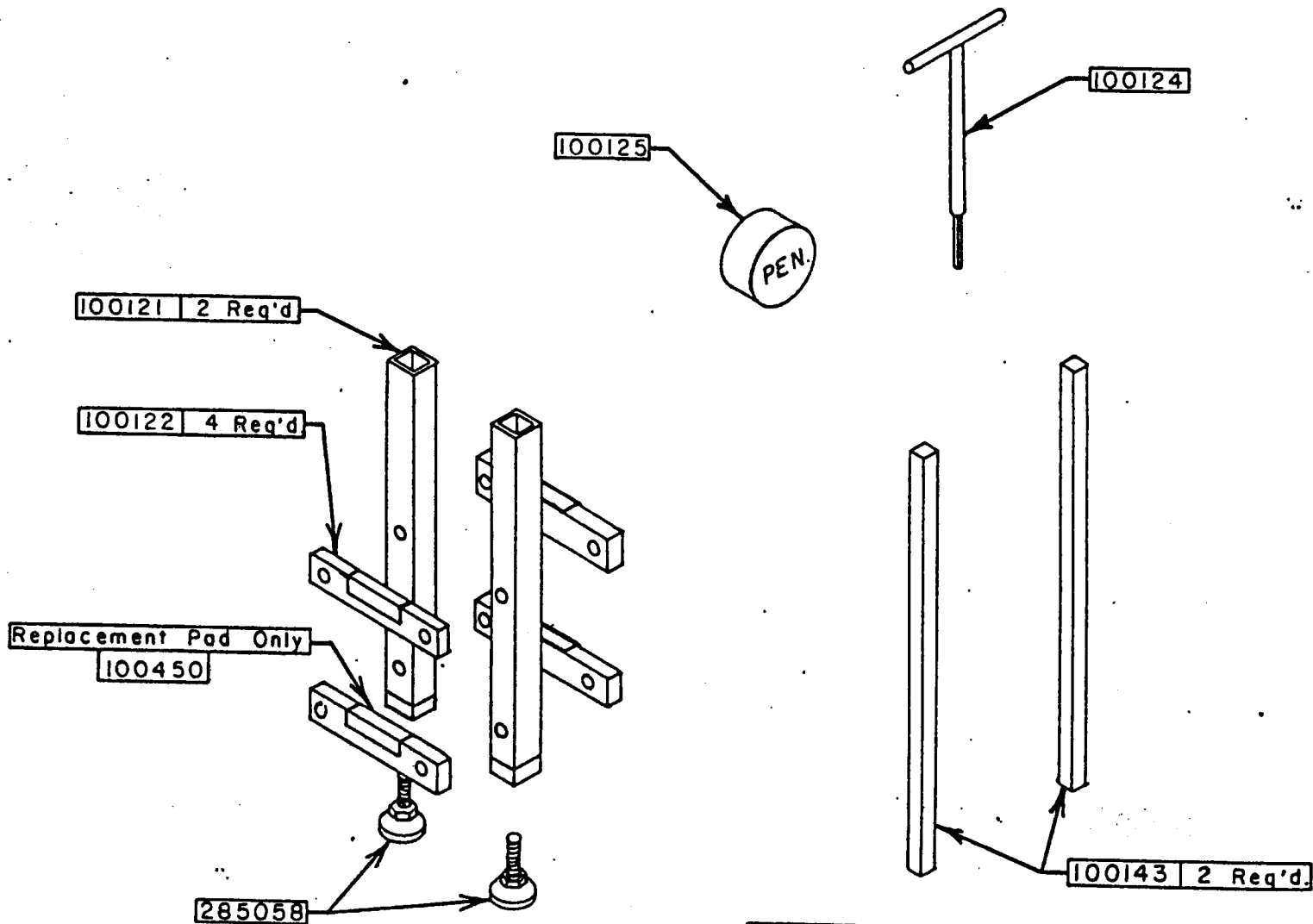
|            |        |
|------------|--------|
| 3590-48    | 200116 |
| 3590-60,72 | 200097 |
| 4000-All   | 202458 |

**MODEL 3590 / 4000 SLITTER MAIN DRIVE**

|            |        |
|------------|--------|
| 3590-60,72 | 285001 |
| 3590-48    | 285006 |
| 4000-All   | 202459 |

|               |        |
|---------------|--------|
| Mount Pad     |        |
| 3590-60", 72" | 185001 |
| 3590-48"      | 185004 |
| 4000-All      | 185004 |





AEROSOL GEAR GREASE (Not Shown) 285204

GARY®

3590 / 4000 MAINTENANCE ACCESSORIES